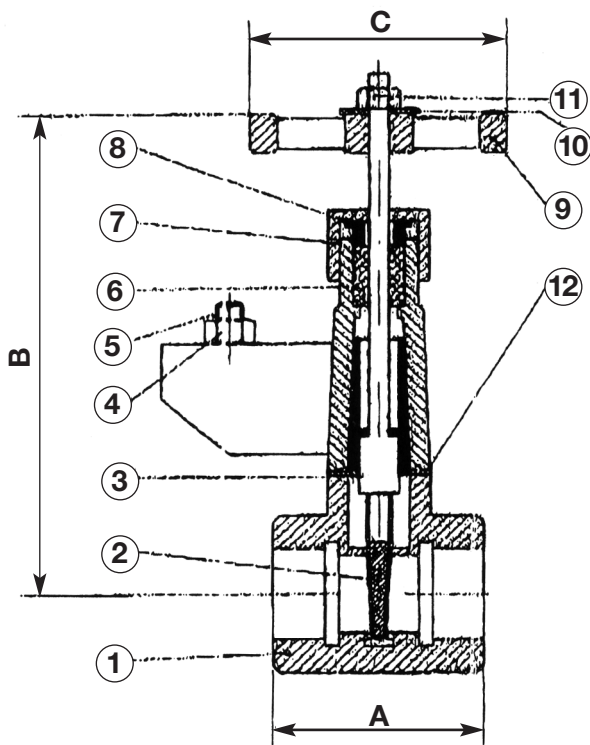


KVC FIG #254T

150PSI CLIP GATE VALVE Size: 2" - 4"

FEATURES:

1. SAND CASTING
2. 150PSI
3. MATERIAL: GRAY IRON
4. FULL PORT
5. RISING STEM
6. THREADS CONFORM TO ANSI B16.1



MATERIAL LIST:

ITEM	PARTS NAME	MATERIAL
1	BODY	ASTM A126 CLASS B
2	DISC	ASTM A126 CLASS B
3	STEM	410SS
4	JOINT NUT	A307B
5	U-BOLT	A307B
6	PACKING	GRAPHITE
7	GLAND NUT	WCB
8	GLAND	410SS
9	HANDLE	ASTM A126 CLASS B
10	ALUMINIUM PLATE	ALUMINIUM
11	HANDLE NUT	STEEL
12	JOINT GASKET	GRAPHITE

DIMENSIONS:

SIZE	A mm	B mm	C mm	Weight kg
DN50 (2 inch)	95	230	100	5
DN80 (3 inch)	116	300	147	11.2
DN100 (4 inch)	152	387	223	22.5